



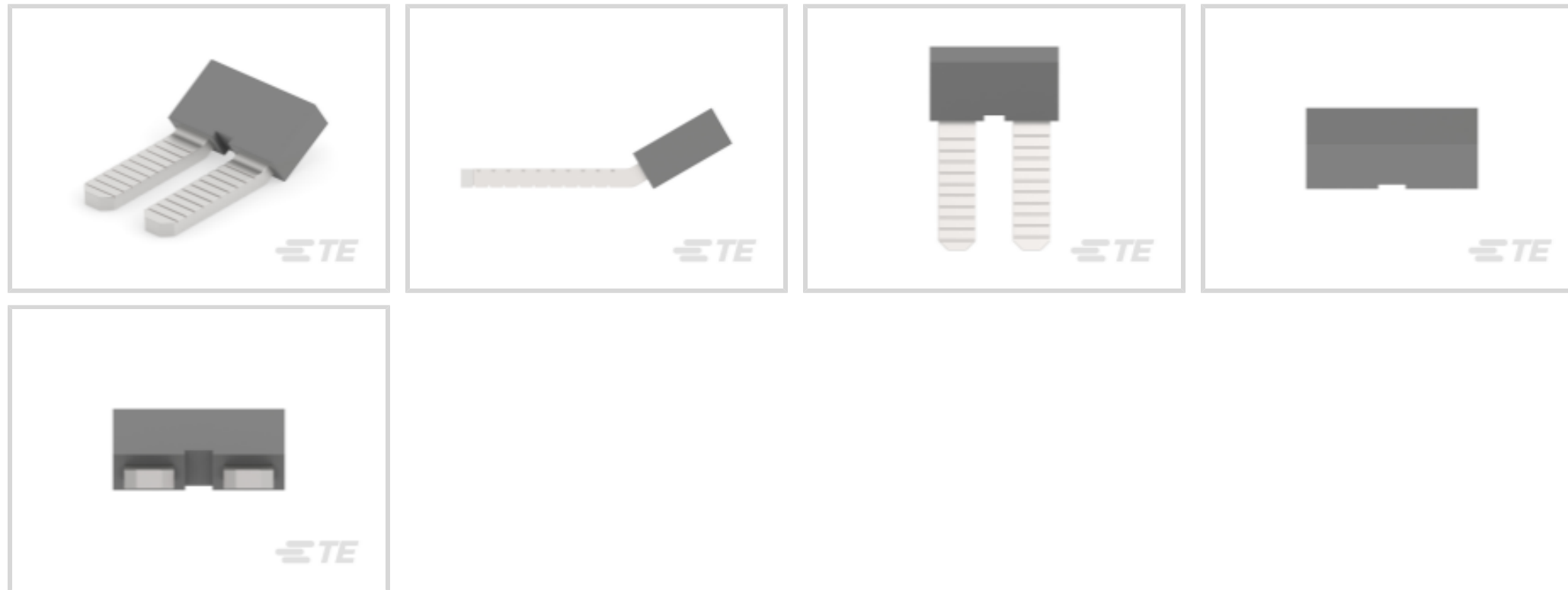
ENTRELEC | ENTRELEC SNA

TE Internal #: 1SNA116538R1700

Terminal Block & Strip Conducting Accessories, Jumper Bar, 2 Pole, Black, Product Spacing .31 in [8 mm], Power, ENTRELEC SNA

[View on TE.com >](#)

Connectors > Terminal Blocks & Strips > Terminal Block & Strip Accessories > Terminal Block & Strip Conducting Accessories



Conducting Accessory Type: **Jumper Bar**

Number of Poles: **2**

Primary Product Color: **Black**

Product Spacing: **8 mm [.31 in]**

Contact Current Rating (Max): **50 A**

Features

Product Type Features

Conducting Accessory Type	Jumper Bar
---------------------------	------------

Configuration Features

Number of Poles	2
-----------------	---

Body Features

Primary Product Color	Black
-----------------------	-------

Contact Features

Contact Current Rating (Max)	50 A
------------------------------	------

Dimensions

Product Spacing	8 mm [.31 in]
-----------------	---------------

Usage Conditions

Operating Temperature Range	-55 – 110 °C [-67 – 230 °F]
-----------------------------	-----------------------------

Operation/Application

Circuit Application	Power
---------------------	-------



Product Compliance

[For compliance documentation, visit the product page on TE.com>](#)

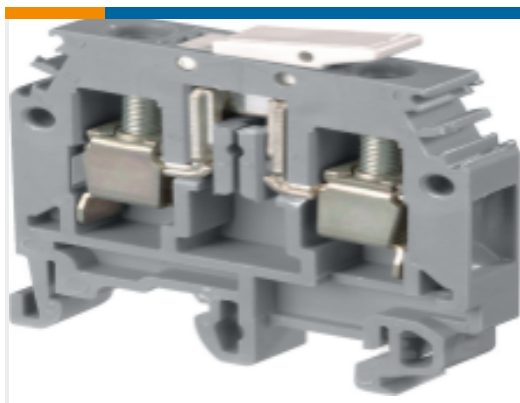
EU RoHS Directive 2011/65/EU	Compliant
EU ELV Directive 2000/53/EC	Compliant
China RoHS 2 Directive MIIT Order No 32, 2016	No Restricted Materials Above Threshold
EU REACH Regulation (EC) No. 1907/2006	Current ECHA Candidate List: JUNE 2022 (224) Candidate List Declared Against: JUNE 2022 (224) Does not contain REACH SVHC
Halogen Content	Low Halogen - Br, Cl, F, I < 900 ppm per homogenous material. Also BFR/CFR/PVC Free
Solder Process Capability	Not reviewed for solder process capability

Product Compliance Disclaimer

This information is provided based on reasonable inquiry of our suppliers and represents our current actual knowledge based on the information they provided. This information is subject to change. The part numbers that TE has identified as EU RoHS compliant have a maximum concentration of 0.1% by weight in homogenous materials for lead, hexavalent chromium, mercury, PBB, PBDE, DBP, BBP, DEHP, DIBP, and 0.01% for cadmium, or qualify for an exemption to these limits as defined in the Annexes of Directive 2011/65/EU (RoHS2). Finished electrical and electronic equipment products will be CE marked as required by Directive 2011/65/EU. Components may not be CE marked. Additionally, the part numbers that TE has identified as EU ELV compliant have a maximum concentration of 0.1% by weight in homogenous materials for lead, hexavalent chromium, and mercury, and 0.01% for cadmium, or qualify for an exemption to these limits as defined in the Annexes of Directive 2000/53/EC (ELV). Regarding the REACH Regulation, the information TE provides on SVHC in articles for this part number is based on the latest European Chemicals Agency (ECHA) 'Guidance on requirements for substances in articles' posted at this URL: <https://echa.europa.eu/guidance-documents/guidance-on-reach>

Compatible Parts

 <p>TE Part # 1SNK508011R0000 ZS10-R1</p>	 <p>TE Part # 1SNK508151R0000 ZS10-PE-R1</p>	 <p>TE Part # 1SNK508310R0000 ZS10-ST</p>	 <p>TE Part # 1SNA105004R2200 M6/8</p>
--	--	--	---



TE Part # 1SNA105055R2400
M6/8.SNB



TE Part # 1SNA105118R2000
M6/8



TE Part # 1SNA105128R2200
M6/8.1



TE Part # 1SNA115118R1100
M6/8



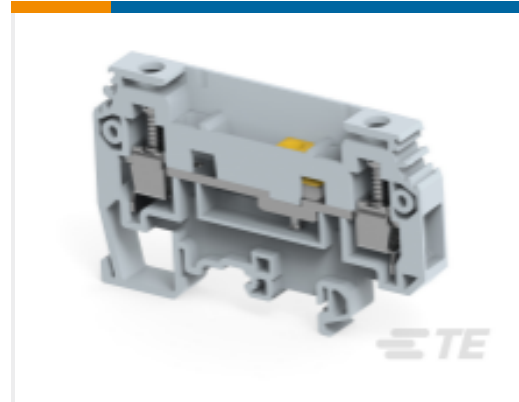
TE Part # 1SNA115209R0500
M6/8.C



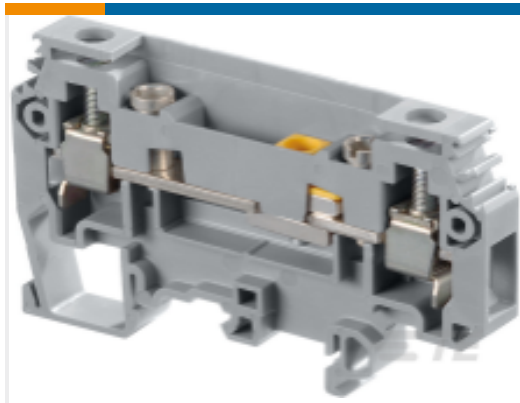
TE Part # 1SNA115218R2500
M6/8.2



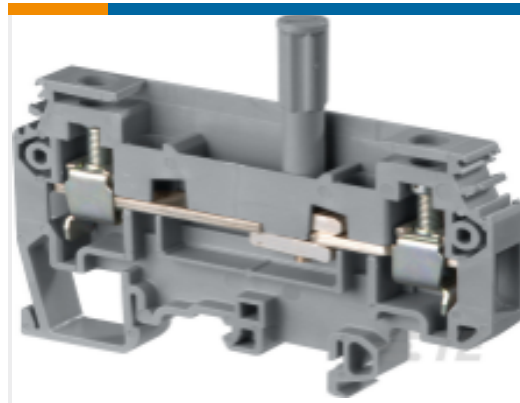
TE Part # 1SNA115219R2600
M6/8.4



TE Part # 1SNA115236R1700
M6/8.ST



TE Part # 1SNA115237R1000
M6/8.ST1



TE Part # 1SNA115239R2200
M6/8.ST3



TE Part # 1SNA115243R2600
M6/8.ST7



TE Part # 1SNA115260R0300
M6/8.1



TE Part # 1SNA115277R2000
M6/8.STP



TE Part # 1SNA115278R0100
MS6/8



TE Part # 1SNA115359R0200
M6/8.STA



TE Part # 1SNA115500R2500
M6/8.STP3

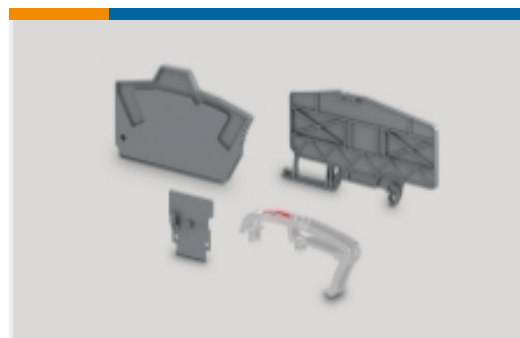
Also in the Series | **ENTRELEC SNA**



Modular Terminal Blocks(182)



Terminal Block & Strip Conducting Accessories(26)



Terminal Block & Strip Insulating Accessories(14)

Documents



CAD Files

3D PDF

3D

Customer View Model

[ENG_CVM_CVM_1SNA116538R1700_A.2d_dxf.zip](#)

English

Customer View Model

[ENG_CVM_CVM_1SNA116538R1700_A.3d_igs.zip](#)

English

Customer View Model

[ENG_CVM_CVM_1SNA116538R1700_A.3d_stp.zip](#)

English

By downloading the CAD file I accept and agree to the [Terms and Conditions](#) of use.

Datasheets & Catalog Pages

[Catalogue - ENTRELEC terminal-blocks-sna-series](#)

English

PC8-2

English

[ENTRELEC Terminal Block - Master Catalog](#)

English

[SNK SERIES TERMINAL BLOCKS](#)

English

[ENTRELEC Terminal Blocks Catalogue \(RUS\)](#)